

more Power Features

new POWER

Now available in:

40 kHz	20 kHz
400 watts	1200 watts
800 watts	1700 watts
	2200 watts
	3500 watts

new FEATURES

- Precision controlled weld depth tolerance of +/- 0.0003 in. (.008 mm)
- Electric stepper motor drive/optical encoder
- Programmable digital force, velocity, distance
- Two weld velocities for precise melt-down control

new MODELS

Monitor:

time

- Model GXT

time and/or energy

- Model GXE

STANDARD FEATURES INCLUDE:

- Automatic Frequency Tuning
- Multiple Job Storage
- Digital Force Triggering
- Calibration Pulse Prior to Every Weld Cycle
- Back-Lit LCD Display
- Ultrasonics Load Meter Scale
- Absolute and Incremental Distance Modes
- Printer Data Log Output
- Optional PLC I/O (Input/Output) Ports
- Soft Start Overload Protection Circuitry
- Load Regulation Circuitry
- Distance Mode Settings in English or Metric Units



SONICS®

SONICS & MATERIALS, INC.

world-wide leader in *ultrasonic technology*

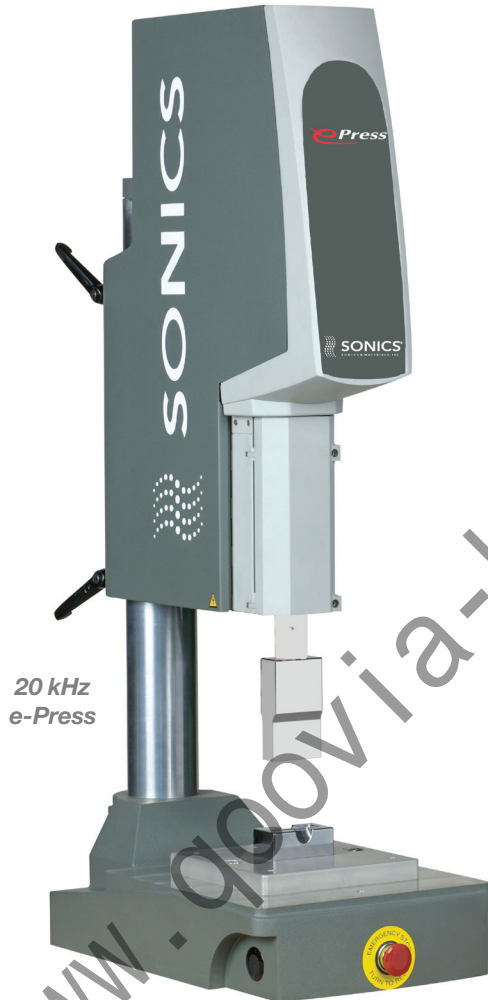
哥威雅

e-Press

ultrasonic electropress™

20 kHz / 40 kHz

high precision plastics welder



20 kHz e-Press



Stepper Controller

Leaders in the field of ultrasonic plastics welding equipment and technology since 1969, Sonics & Materials offers its new stepper-motor driven *e-Press*, combined with a GX-series power supply, to produce repeatable, precision welds to a weld depth tolerance of +/-0.0003 in. (0.008 mm).

The advanced GX-Series power supply provides superior microprocessor control and consistent reliability for both the Model 2050EP (20 kHz) and Model 4050EP (40 kHz). Power supplies feature smart-logic, user-friendly navigation, convenient frequency display and digital amplitude control.

Power Supply

Dimensions: 15.25" W x 6.50" H x 18.75" D (387.3 x 165.1 x 476.25 mm)*

Weight: 21 lbs. (9.5 kg)*

e-Press Controller

Dimensions: 15.25" W x 6.50" H x 18.75" D (387.3 x 165.1 x 476.25 mm)

Weight: 21 lbs. (9.5 kg)

*Not applicable for 3500 watt system which is larger and weighs 70 lbs.

for more information: info@qoovia-hk.com www.qoovia-hk.com



dimensional data

All Dimensions: Inches (mm)

e-Press features

- Single Piece Rigid Cast Aluminum Machine Base and Column Hub
- In-line Load Cell for Precise Force Trigger
- Linear Ball Screw Actuator
- Single Rail Linear Slide
- Rigid Mount Booster Technology

specifications, additional features, and options

Dual Cycle Start Buttons	Standard
Non-Contact Cycle Start Buttons	Optional
Front Emergency Stop	Standard
Head Adjust Counter	
Balance Spring	Standard
Automation Limit Switches	Optional
360° Snap-In Stack Assembly	Standard
Rigid Mount Booster	Standard
Stand Alone Column Hub	Optional
Extended Length Column	Optional
3.75" (95.3) Column Diameter	Standard
3.5" (89 mm) Max Stroke	Standard
Weight	210 lbs. / 95 kg

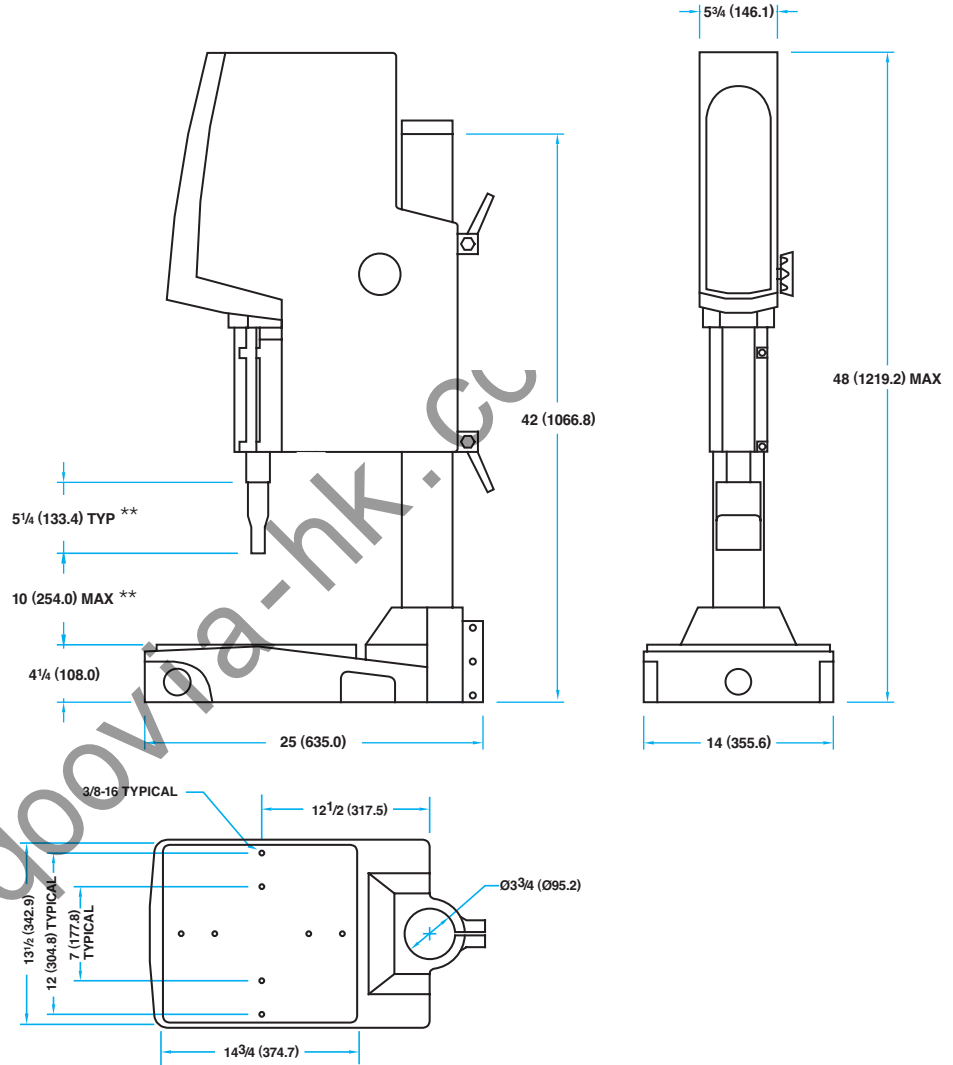
power requirements

GX-Series:

400, 800 and 1200 watts	220 VAC (110 optional)
1700, 2200 and 3500 watts	220 VAC

EP controller

110 VAC



**NOTE: These dimensions apply to 20 kHz model only.



Registered by UL to ISO 9001